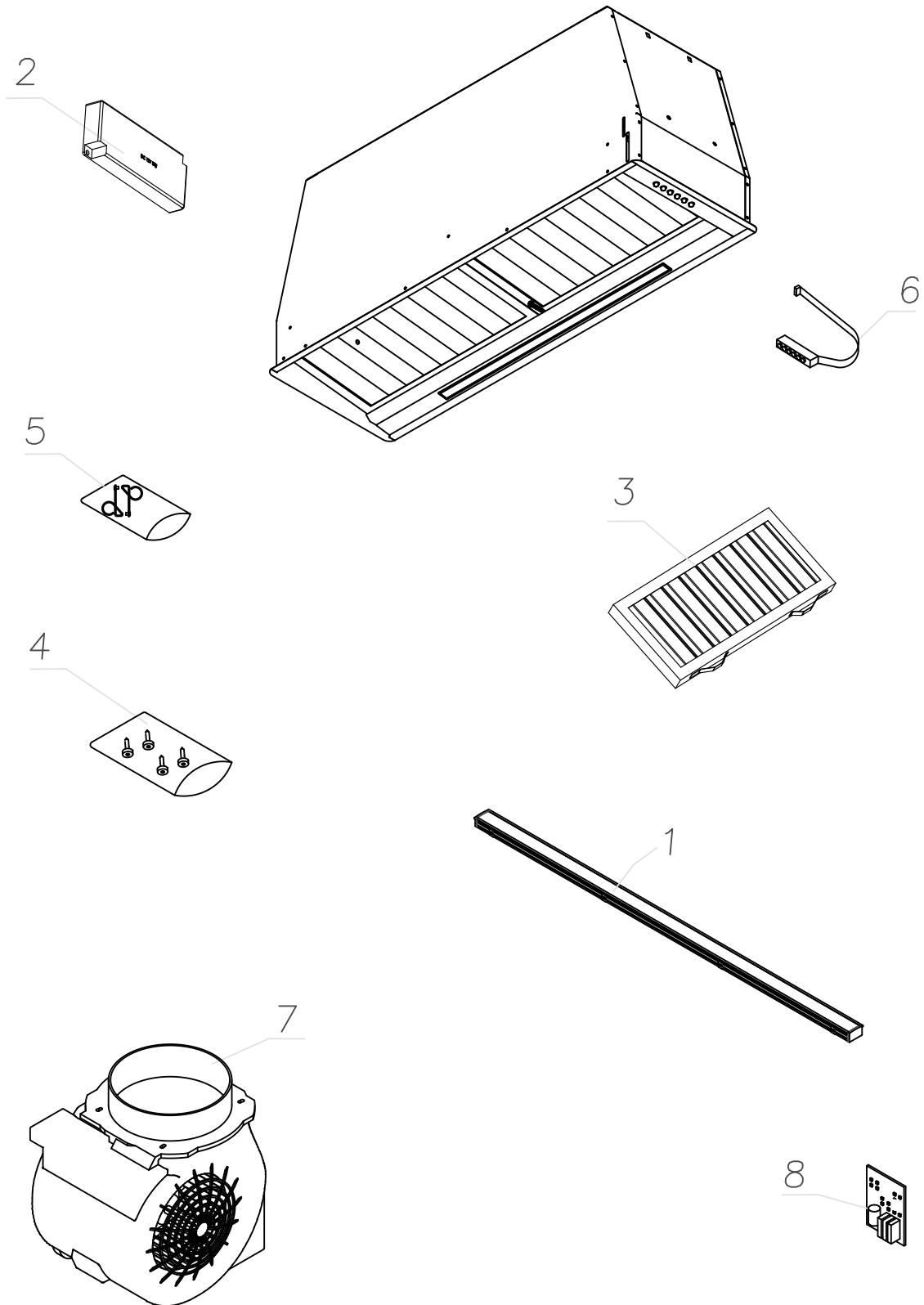


SU906-L 850

28-06-2017



DEUSA000001